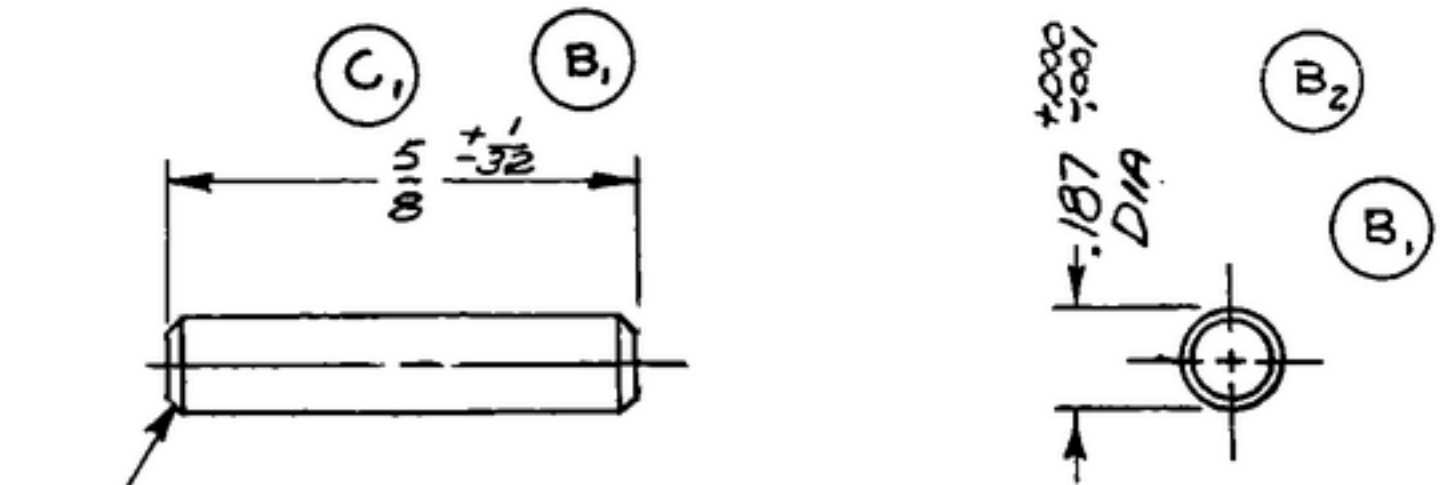


NOTICE: WHEN GOVERNMENT DRAWINGS, SPECIFICATIONS, OR OTHER DATA ARE USED FOR ANY PURPOSE OTHER THAN IN CONNECTION WITH A DEFINITELY RELATED GOVERNMENT PROCUREMENT OPERATION, THE UNITED STATES GOVERNMENT THEREBY INCURS NO RESPONSIBILITY FOR ANY OBLIGATION WHATSOEVER; AND THE FACT THAT THE GOVERNMENT MAY HAVE FORMULATED, FURNISHED, OR IN ANY WAY SUPPLIED THE SAID DRAWINGS, SPECIFICATIONS, OR OTHER DATA, IS NOT TO BE REGARDED BY IMPLICATION OR OTHERWISE AS IN ANY MANNER LICENSING THE HOLDER OR ANY OTHER PERSON OR CORPORATION, OR CONVEYING ANY RIGHTS OR PERMISSION TO MANUFACTURE, USE, OR SELL ANY PATENTED INVENTION THAT MAY IN ANY WAY BE RELATED THEREBY.

THIS DOCUMENT HAS BEEN PURCHASED BY THE GOVERNMENT AND MAY BE REPRODUCED AND USED IN CONNECTION WITH ANY GOVERNMENT PROCUREMENT OR MAINTENANCE OPERATION.

* FOR INFORMATION ONLY, CONTRACTOR MAY AT HIS OPTION DEVIATE FROM THESE PROCESS DETAILS.

REVISIONS				
SYM	DESCRIPTION	DATE	APPROVAL	
A₂	A₁ ADDED NOTE Z A₂ ADDED APPL. SM-D-343600	10 OCT 59	42428-PC 59-AI-51	REV'D PME
B ₂	B ₁ CLARIFY PICTORIAL B ₂ DELETED DIM. $.125 \pm .002$ & $.062 \pm .001$	10 DEC 59	42428-PC 59	REV'D PME
C ₁	C ₁ $\frac{5}{8} \pm \frac{1}{32}$ WAS $1 \pm \frac{1}{32}$	22 JULY 60	42428-PC 59	REV'D PME



$\frac{1}{32} \times 45^\circ \pm 5^\circ$ CHAMFER BOTH ENDS

STEEL, COMP F51213, COND HOT ROLLED ANNEALED, PER SPEC QQ-S-633.

- NOTES:
 1. REMOVE ALL BURRS.
 2. FINISH M-262 PER MIL-F-14072

COLLINS PART NO.	ITEM	REQD	PART NO.	DESCRIPTION	MATL	MATL SPEC
LIST OF MATERIAL						
COLLINS PART NO. <i>558 0213 002</i>						

DRAWN <i>NUGEN</i>			CHECKED <i>Rh</i>		APPROVED		COLLINS RADIO CO. SEDAR RAPIDS, IOWA 14214-PH-51-93 SIGNAL CORPS REVIEWED <i>PME</i> APPROVED <i>HLV</i> <i>PME</i> DATE <i>6 MARCH 56</i> SCALE <i>2/1</i>		DEPARTMENT OF THE ARMY SIGNAL CORPS ENGINEERING LABORATORIES FORT MONMOUTH NEW JERSEY <i>SM-B-248865</i>	
UNLESS OTHERWISE SPECIFIED: DECIMAL DIMENSIONS INCLUDING HOLE SIZES MAY VARY $\pm .005$ FRACTIONAL DIMENSIONS INCLUDING HOLE SIZES MAY VARY $\pm 1/64$ MACHINED ANGLES MAY VARY $\pm .1^\circ$ SHEARED ANGLES MAY VARY $\pm .25^\circ$ BROKEN ANGLES MAY VARY $\pm 1^\circ$ ECCENTRICITY BETWEEN ANY DIAMETERS ON THE SAME CENTERLINE SHALL NOT EXCEED .010 TOTAL INDICATOR READING. ALL DIMENSIONS ARE FINISH DIMENSIONS INCLUDING APPLIED FINISH AND ARE GIVEN IN INCHES.			SM-D-343600 SMD-248975 SC-DL-248775		APPLICATION					